

Specification for Electronic Siren	Page	2/9
	Revision No.	1.3
Model No. : DS-508	Drawing No.	OEM104R

CONTENTS

1. Scope
范围
2. General
概要
3. Electrical and Acoustic Characteristics.
电声参数
4. Reliability Test
可靠性试验
5. Measurement Block Diagram
测试图
6. Structure
结构
7. Dimensions
尺寸
8. Packing
包装
9. Revision
履历表

Specification for Electronic Siren		Page	3/9
		Revision No.	1.3
Model No. :	DS-508	Drawing No.	OEM104R

1. Scope

This product specification is applied to the siren used for sounder in alarm systems. Please contact us when using this product for any other applications than described in the above.

本规格书适用于报警器，通常它用在系统中做报警或提示，如果将该产品用于其它领域，请与我们联系。

2. General

- 2.1 length 235mm
长度 235mm
- 2.2 Width 200mm
宽度 200mm
- 2.3 Height 155mm
高度 155mm
- 2.4 Weight 1080±50 g
重量 1080±50克
- 2.5 Operating Temperature range:
-20~+65℃ without loss of function
工作温度: -20~+65℃
- 2.6 Store Temperature range:
-30~+65℃ without loss of function
储藏温度: -30~+65℃

3. Electrical and Acoustic Characteristics.

Test condition : 15 ~ 35 °C, 25% ~ 85% RH, 860~1060 mbar

测试条件: 15~35 °C, 25%~85%RH, 860~1060mbar

	Items 项目	Specification 规格
1	Rated Voltage 额定电压	12VDC
2	Operating Voltage 工作电压	6-14VDC
3	Operating Current 工作电流	≅ 1100mA / 12VDC ≅ 800mA / 6VDC
4	S.P.L 输出声压	≅ 118DB / 12VDC / 1M ≅ 108DB / 6VDC / 1M
5	Load test 连续负荷	8 h / 12VDC
6	Housing Material/Color 壳体材质/颜色	ABS PA-707K/WHI TE
7		
8		
9		
10		

Specification for Electronic Siren		Page	4/9
		Revision No.	1.3
Model No. :	DS-508	Drawing No.	OEM104R

4. Reliability Test

After test(1~6item), the electronic siren SOUND METER OR EQUIVALENT difference shall be within $\pm 10\text{dB}$, and the appearance not exist any change to be harmful to normal operation(e.g.cracks,rusts,damages and especially distortion).

在1-6项试验后，报警器的声压变化值在 $\pm 10\text{dB}$ 之内，外观无变化（例如：开裂、生锈、损伤、变形等现象）。

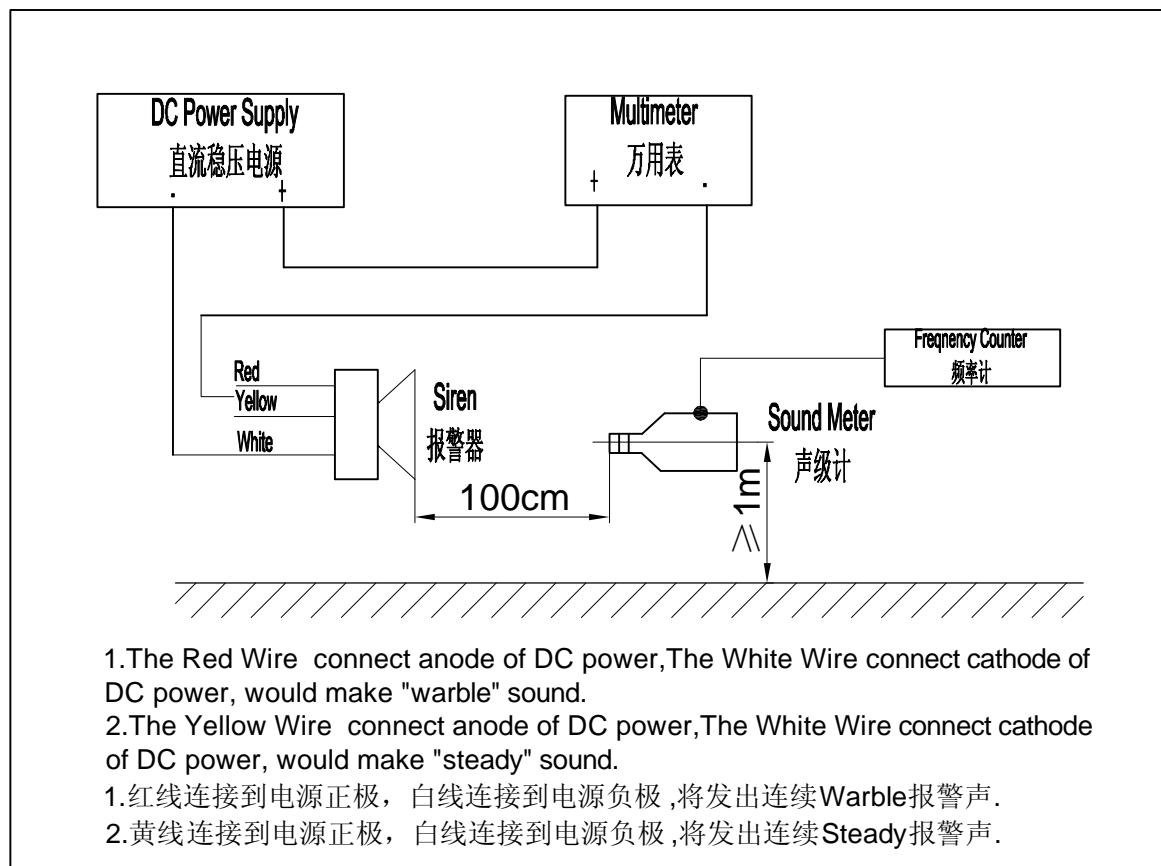
	Item	Specification
1	High Temperature Test 高温试验	<p>After being woked in a chamber with $+60\pm 2\text{ }^\circ\text{C}$ for 2h and then being placed in natural condition for 2h, sounder shall be measured.</p> <p>将产品置于 $+60\pm 2\text{ }^\circ\text{C}$ 试验箱中，先工作 2小时，然后在正常大气压条件下恢复2小时后，进行测量</p>
2	Low Temperature Test 低温试验	<p>First being worked in a chamber with $-20\pm 2\text{ }^\circ\text{C}$ for 2h and then being placed in a chamber with $-20\pm 2\text{ }^\circ\text{C}$ for 16h, finally being placed in natural condtion for 2h, sounder shall be measured.</p> <p>将产品置于 $-20\pm 2\text{ }^\circ\text{C}$ 试验箱中，先工作 2小时，再放置16小时，然后在正常大气压条件下恢复2小时后，进行测量</p>
3	Humidity Test 潮湿试验	<p>After being placed in a chamber with 90 to 95%R.H. at $+40\pm 2\text{ }^\circ\text{C}$ for 2 h and then being placed in natural condition for 2h , sounder shall be measured.</p> <p>将产品置于湿度为 90-95%R.H，温度为 $40\pm 2\text{ }^\circ\text{C}$ 试验箱中 2小时，然后在正常大气压条件下恢复2小时后，进行测量</p>
4	Shock 耐冲击性	<p>Under acceleration of peak $100\text{m/s}^2(10\text{g})$ & half sine wave pulse (pulse time is 16ms)condition.run into product 1000 times continuously.</p> <p>峰值加速度 $100\text{m/S}^2(10\text{g})$,脉冲持续时间为16ms的半正弦波脉冲对试样连续碰撞1000次，测试报警器.</p>

Specification for Electronic Siren		Page	5/9
		Revision No.	1.3
Model No. :	DS-508	Drawing No.	OEM104R

4. Reliability Test

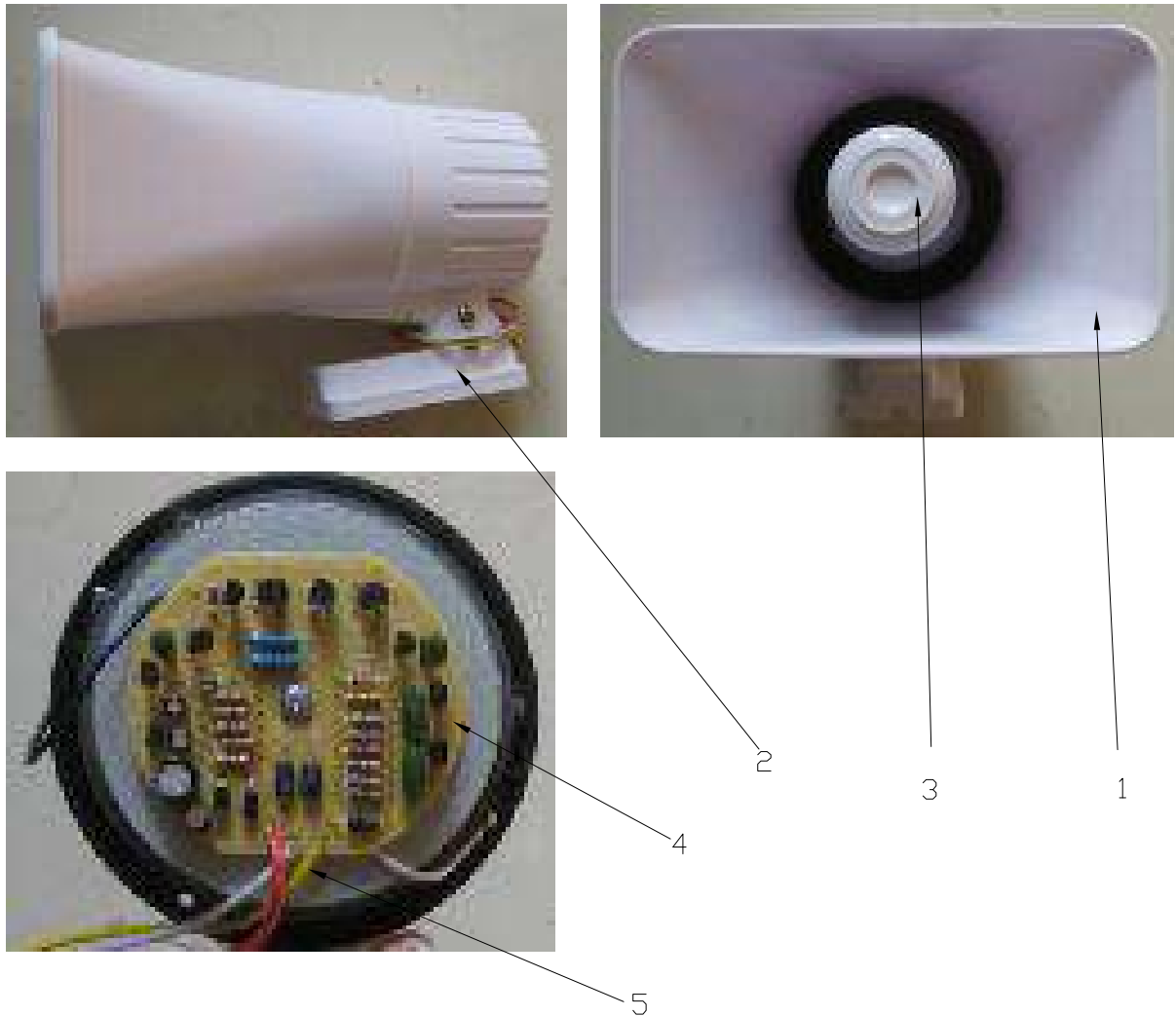
	Item	Specification
5	Drop Test 跌落试验	Siren packed in the carton are dropped in six direction from the height of 100cm to the concrete floor. 跌落高度100cm,6个不同方向整箱跌落到水泥地, 试验后进行测量.
6	Vibration Resistance 振动试验	Siren shall be measured after being applied vibration of amplitude of 1.5mm with 10to 30Hz band of vibration frequency to each of 3 perpendicular directions for 2 hour. 振幅为1.5mm, 频率为10-30Hz, 三个不同轴方向各振动2小时, 试验后进行测量.

5. Measurement Block Diagram



Specification for Electronic Siren		Page	6/9
		Revision No.	1.3
Model No. :	DS-508	Drawing No.	OEM104R

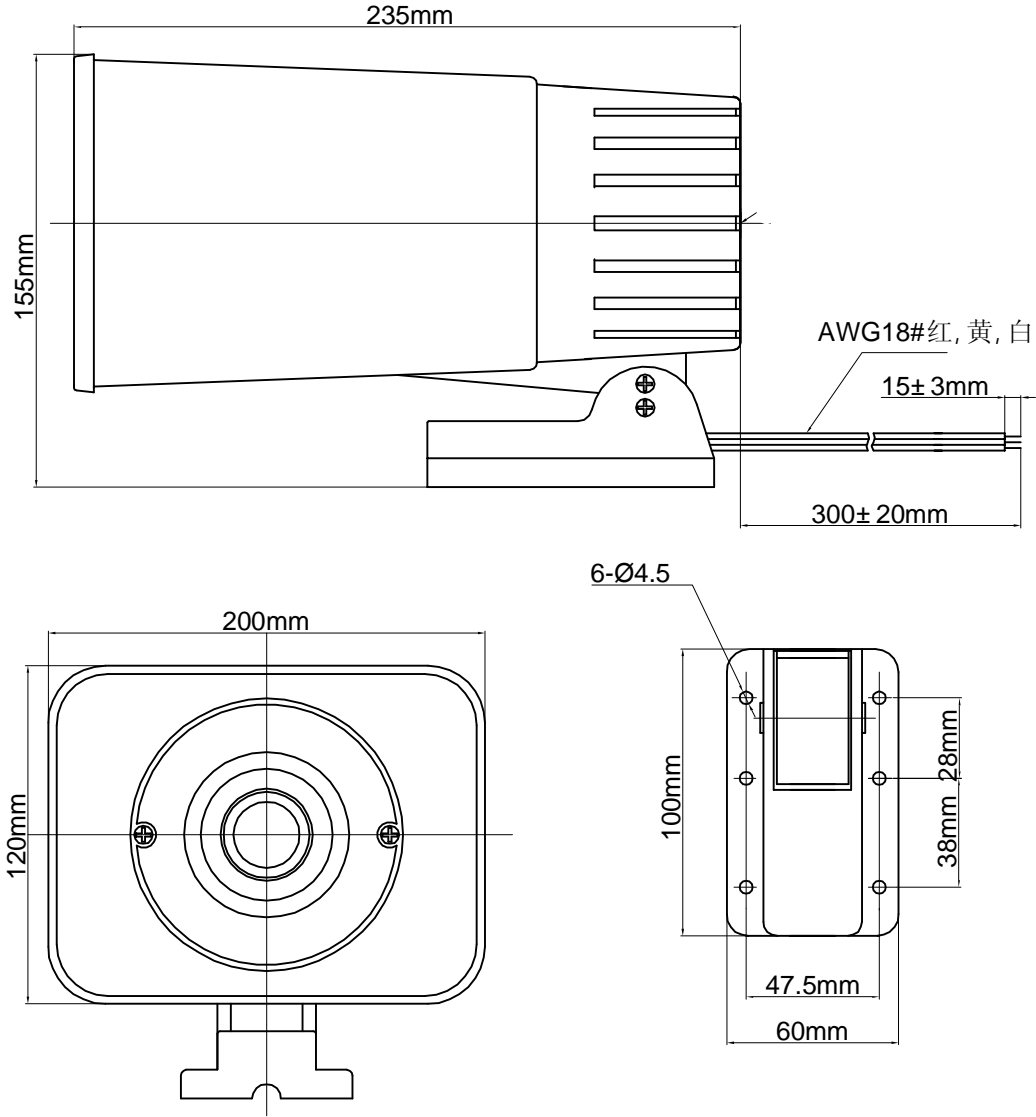
6. Structure



6				
5	Wire 引线	3	—	
4	PCB 印制板组件	1	PFR-1	
3	Speaker 音头	1	—	
2	Bracket 支架	1	ABS PA-707K/WHITE	
1	Housing 壳体	1	ABS PA-707K/WHITE	
No.	Part Name 型号	Q'TY	Material 材质	SGS 编号

Specification for Electronic Siren		Page	7/9
		Revision No.	1.3
Model No. :	DS-508	Drawing No.	OEM104R

7. Dimensions



FIRST ANGLE PROJECTION



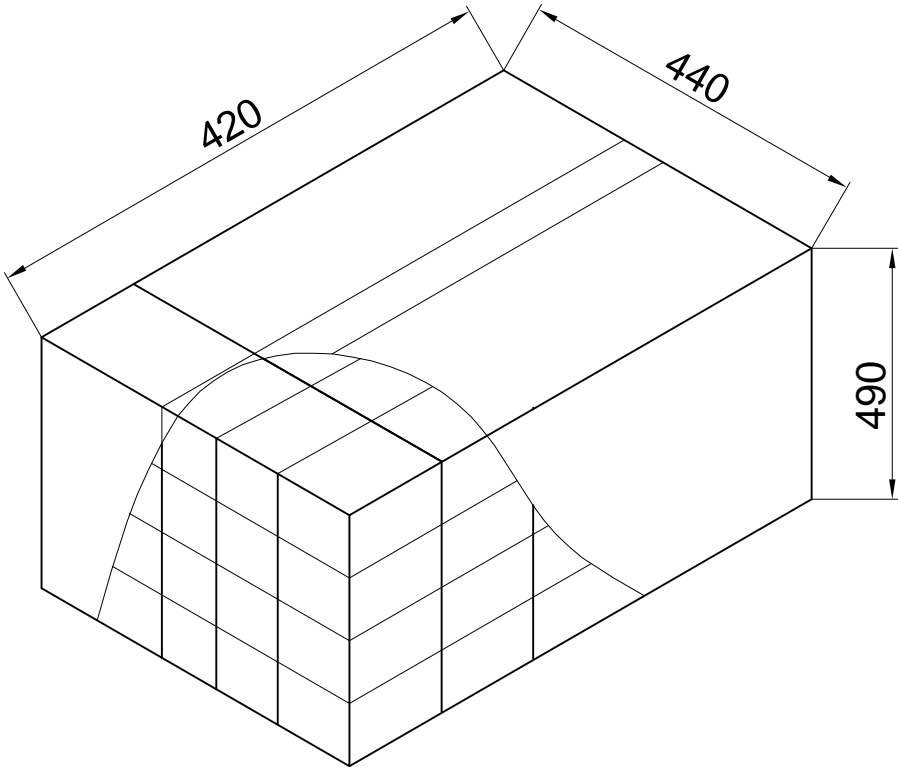
UNIT : mm
Tolerance : ±0.5

Specification for Electronic Siren		Page	8/9
		Revision No.	1.3
Model No. :	DS-508	Drawing No.	OEM104R

8. Packing



Picture1(1 PCS)



Picture2(12PCS)

205x143x237mm
420*440*490mm

