

SPECIFICATION

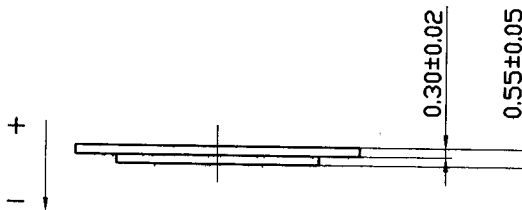
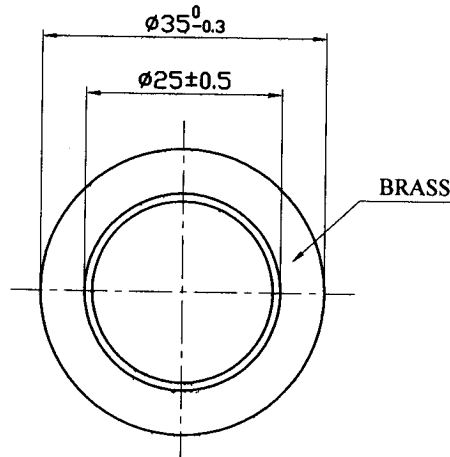
1. SCOPE

This specification is applied to the piezo-element.

2. SPECIFICATION

(at 25 °C)

- | | | |
|---------------------------|---|------------------------|
| 2.1 Resonant Frequency | : | 2.9 ± 0.5 KHz |
| 2.2 Resonant Resistance | : | 200 Ω max |
| 2.3 Capacitance | : | 30000pF ± 30% at 100Hz |
| 2.4 Input Voltage | : | 30Vp-p max |
| 2.5 Operating Temperature | : | -20~+50 °C |
| 2.6 Storage Temperature | : | -20~+60 °C |
| 3. DIMENSION | : | as per figure |



TOLERANCES UNLESS NOTED OTHERWISE .X ± .XX ± .XXX ± 90° FORMED +2° ANGLES -1°	DRAWN		KEPO MODEL NO.	CUSTOMER			
	DESIGN		KP35229A	CUSTOMER NO.			
	CHECKED						
	APPROVED		DWG NO.	VER	1.2	SCALE	
	DATE	08.11.06	OEM394	UNIT	mm	SHEET	
	CONTRACT NO.						
FIRST ANGLE PROJECTION 	AGENCY APPROVAL	KEPO CO., LTD.		TEL: (+86)574-88370330 FAX: (+86)574-88370329			