

1

2

3

4

# SPECIFICATION

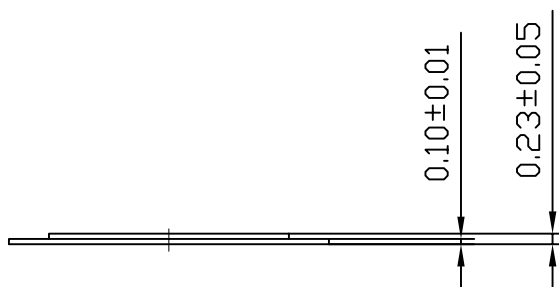
## 1. SCOPE

This specification is applied to the piezo-element.

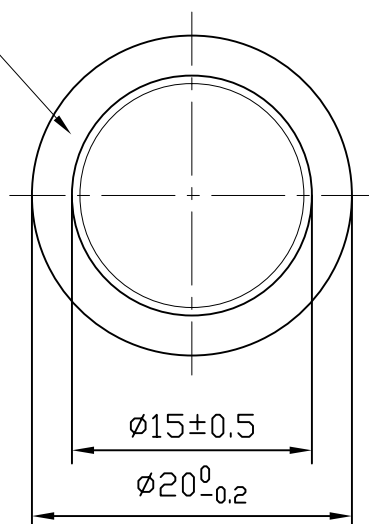
## 2. SPECIFICATION

(at 25°C)

2.1 Resonant Frequency	:	3.25~4.5 KHz
2.2 Resonant Resistace	:	500 Ω max
2.3 Capacitance	:	30000pF± 30% at 100Hz
2.4 Input Voltage	:	30Vp-p max
2.5 Operating Temperature	:	-20~+60°C
2.6 Storage Temperature	:	-20~+70°C
3. DIMENSION	:	as per figure



SUS304

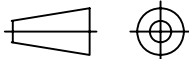


TOLERANCES UNLESS NOTED OTHERWISE

.X ±  
.XX ±  
.XXX ±

90° FORMED +2°  
ANGLES -1°

FIRST ANGLE PROJECTION



DRAWN

DESIGN

CHECKED

APPROVED

DATE

04.02.25

CONTRACT NO.

AGENCY APPROVAL

KEPO MODEL NO.

MFT-20G-4.0A1

DWG NO.

KP3.843.849

**KEPO CO., LTD.**

CUSTOMER

CUSTOMER NO.

VER

1.0

SCALE

UNIT

mm

SHEET

TEL:(+86)574-88370330

FAX:(+86)574-88370329

1

2

3

4