

# SPECIFICATION

## 1. SCOPE

This specification is applied to the piezo-element.

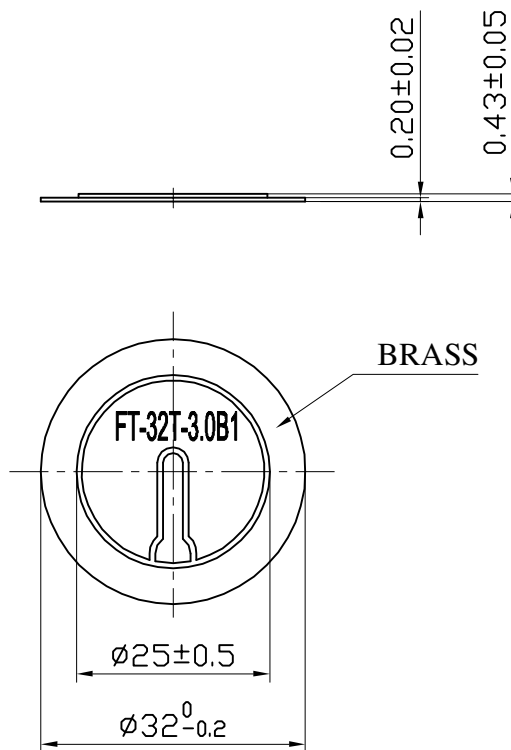
## 2. SPECIFICATION

(at 25°C)

- 2.1 Resonant Frequency : 3.0 ± 0.5 KHz
- 2.2 Resonant Resistace : 500 Ω max
- 2.3 Capacitance : 35000 pF ± 30% at 100Hz
- 2.4 Input Voltage : 30 Vp-p max
- 2.5 Operating Temperature : -20~+50°C
- 2.6 Storage Temperature : -20~+70°C

## 3. DIMENSION

: as per figure



TOLERANCES UNLESS NOTED OTHERWISE .X ± .XX ± .XXX ± 90° FORMED +2° ANGLES -1°	DRAWN		KEPO MODEL NO.	CUSTOMER			
	DESIGN		<b>FT-32T-3.0B1-1589</b>	QUARTZ-1			
	CHECKED			CUSTOMER NO.			
	APPROVED		DWG NO.				
	DATE	05.05.10	OEM1589	VER	1.0	SCALE	
	CONTRACT NO.			UNIT	mm	SHEET	
FIRST ANGLE PROJECTION		AGENCY APPROVAL	<b>KEPO CO.,LTD.</b>		TEL:(+86)574-88370330 FAX:(+86)574-88370329		