

# SPECIFICATION

## 1. SCOPE

This specification is applied to the piezo-element.

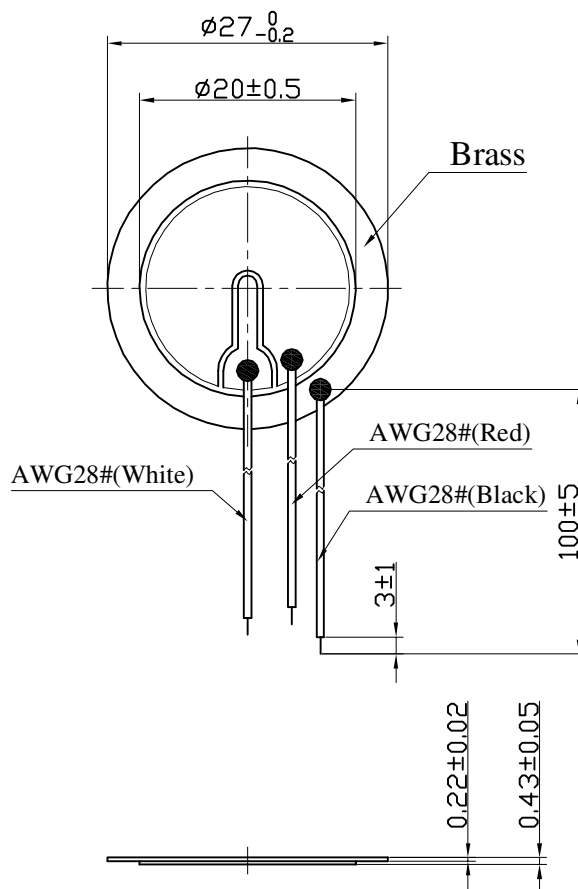
## 2. SPECIFICATION

(at 25°C)

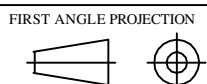
2.1 Resonant Frequency	:	4.1 ± 0.5KHz
2.2 Resonant Resistace	:	500 Ω max
2.3 Capacitance	:	20000pF ± 30% at 100Hz
2.4 Input Voltage	:	30Vp-p max
2.5 Operating Temperature	:	-20~+50°C
2.6 Storage Temperature	:	-20~+60°C

## 3. DIMENSION

: as per figure



TOLERANCES UNLESS NOTED OTHERWISE .X ± .XX ± .XXX ± 90° FORMED +2° ANGLES -1°	DRAWN		KEPO MODEL NO.	CUSTOMER			
	DESIGN		<b>FT-27T-4.1BL</b>	CUSTOMER NO.			
	CHECKED						
	APPROVED		DWG NO.	VER	1.0	SCALE	
	DATE	05.06.24	<b>KP3.845.759</b>	UNIT	mm	SHEET	
	CONTRACT NO.		<b>KEPO CO.,LTD.</b>	TEL:(+86)574-88370330 FAX:(+86)574-88370329			
AGENCY APPROVAL							



1

2

3

4