



SPECIFICATIONS SHEET

PRODUCT TYPE : CONDENSOR MICROPHONE

PRODUCT SERIES : PR12272-MIC

DESCRIPTION : MIC BI 6035 2V 2.2KR 46/4 ROHS

COLOR : SILVER

ELECTRICAL SPECIFICATIONS

MODEL NO.	PR12272-MIC-N6035	
DIAMETER (A) +/- 0.1	mm	Ø 6.0
HEIGHT (B) +/- 0.3	mm	3.5
SENSITIVITY (0 dB = 1V / Pa) AT 1K Hz	dB	-46 +/- 4
DIRECTIVITY		NOISE CANCELLING
POWER SUPPLY (Vs)	V	2.0
RESISTANCE LOADING (RL)	Ω	2.2 K
OPERATING VOLTAGE RANGE	V	1.0 ~ 10.0
MAX. CURRENT	mA	0.5
TERMINAL		NIL
HOUSING MATERIAL		ALUMINUM
S / N RATIO	dB	MORE THEN 55.0
FREQUENCY RANGE	Hz	100 - 10000

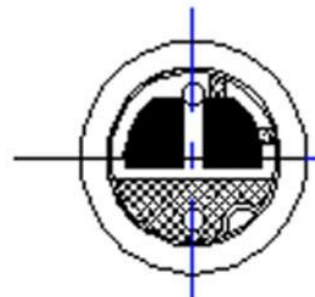
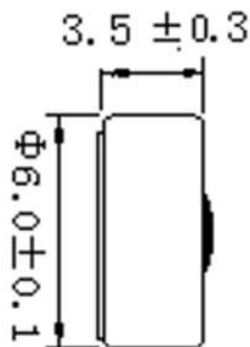
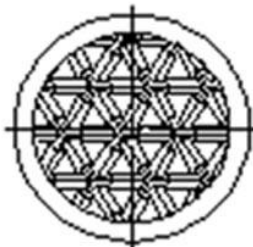
DIMENSIONS

UNIT : mm

TOP VIEW

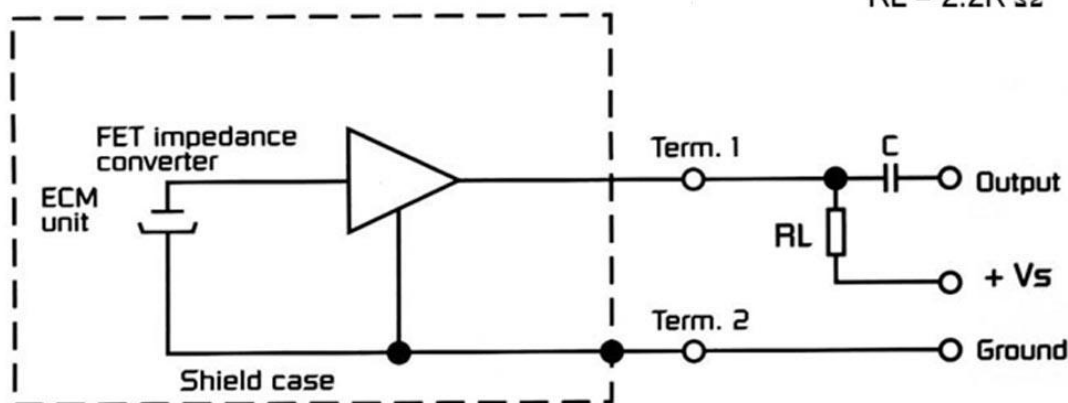
SIDE VIEW

BOTTOM VIEW



SCHEMATIC DIAGRAM

VS = 2.0V
RL = 2.2K Ω



Approved By :

Date : 6-Jul.-2012



Prepared By :

Date : 6-Jul.-2012



Modify :	Date :	By :