

MAGNETIC BUZZER

Material of Case: ABS

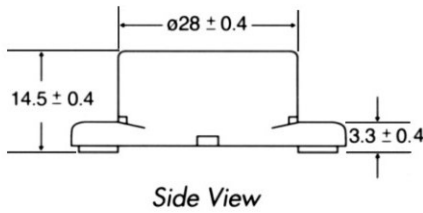
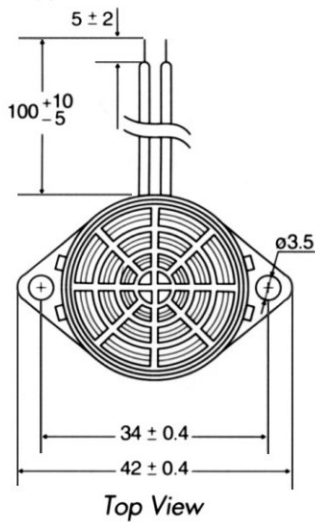
Colour: Black

Operating Temperature: -20°C $+60^{\circ}\text{C}$

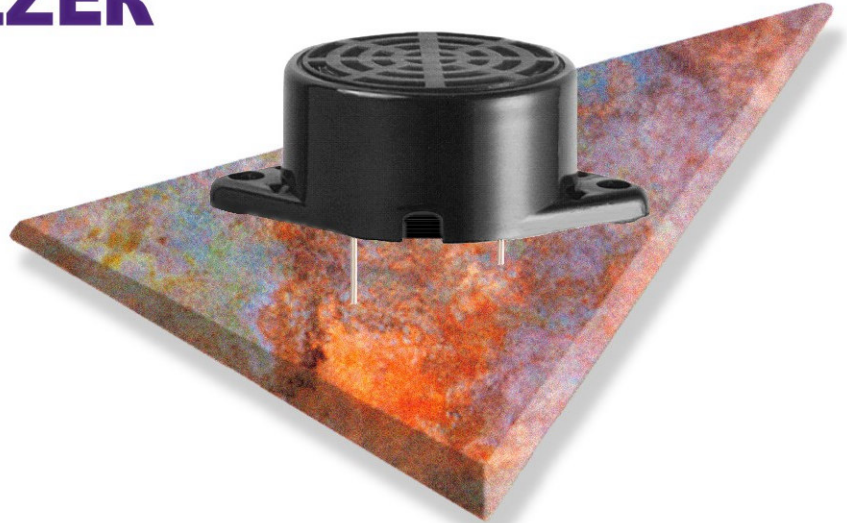
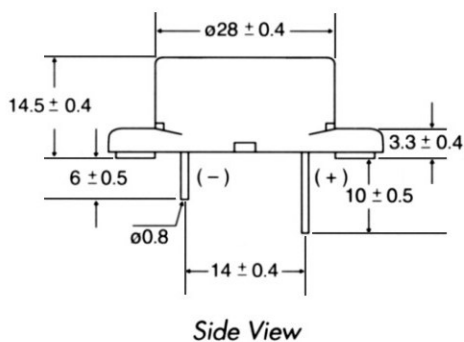
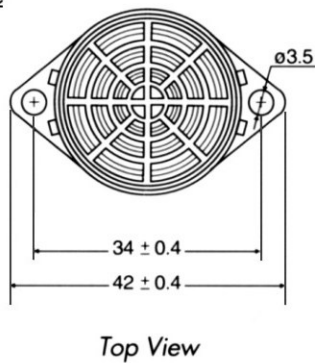
Storage Temperature: -30°C $+70^{\circ}\text{C}$

DIMENSIONS (in mm)

Leadwire Type



Pin Type



Electrical Specifications

| Model No. | 1S3030 | 1S3060 | 1S3090 | 1S3120 | 1S3240 | 1S3415 |
|---|----------|----------|----------|----------|----------|----------|
| Operating Voltage (VDC) | 2-5 | 4-9 | 6-11 | 9-15 | 15-28 | 4-15 |
| Rated Voltage (VDC) | 3 | 6 | 9 | 12 | 24 | 12 |
| Max. Current at Rated Voltage (mA) | 35 | 35 | 40 | 40 | 20 | 15 |
| Frequency (KHz) | 2.8±0.2 | 2.8±0.2 | 2.8±0.2 | 2.8±0.2 | 2.8±0.2 | 2.8±0.2 |
| Min. Sound Pressure at Rated Voltage (dBA/30cm) | 85 | 85 | 85 | 90 | 90 | 85 |
| Tone | SINGLE | SINGLE | SINGLE | SINGLE | SINGLE | SINGLE |
| Pulse Rate at Rated Voltage (Pulse/Sec) | NIL | NIL | NIL | NIL | NIL | NIL |
| Terminal | LEAD/PIN | LEAD/PIN | LEAD/PIN | LEAD/PIN | LEAD/PIN | LEAD/PIN |