



SPECIFICATIONS SHEET

PRODUCT TYPE : MAGNETIC TRANSDUCER

PRODUCT SERIES : DBX

DESCRIPTION : MT TRANSDUCER 5V PIN NORYL

ROHS COMPLIANT

COLOR : BLACK

ELECTRICAL SPECIFICATIONS

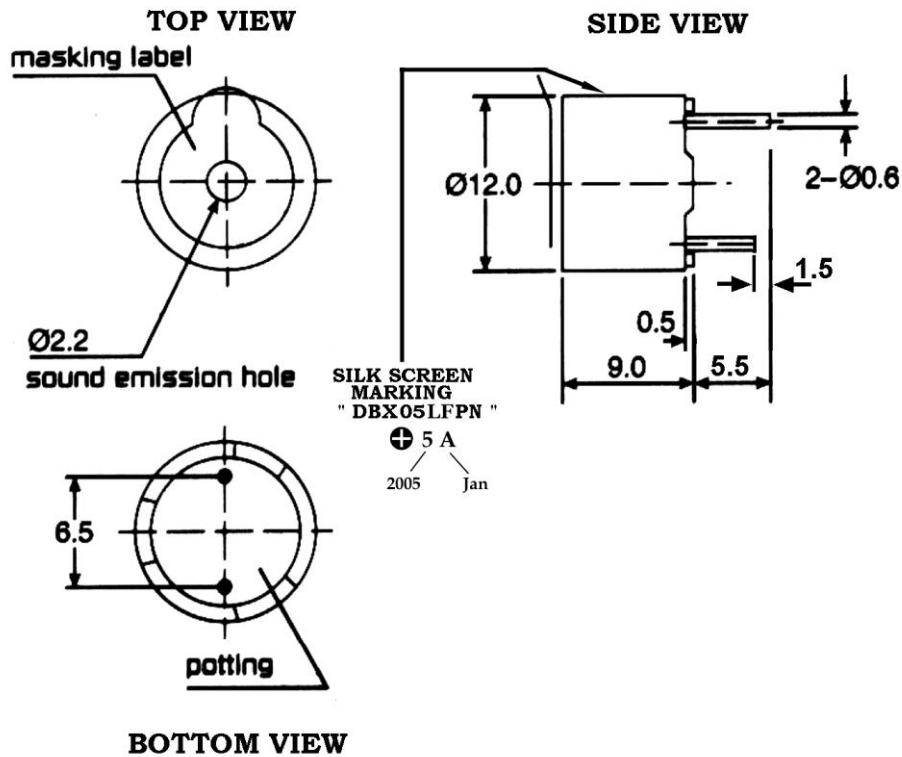
MODEL NO.		DBX05LFPN
OPERATING VOLTAGE RANGE	(V)	3.0 ~ 8.0
RATED VOLTAGE	(V)	5.0
+ MAX. RATED CURRENT	(mA)	40.0
COIL RESISTANCE	(Ω)	47.0 \pm 5.0
* COIL IMPEDANCE	(Ω)	80
+ MIN. SOUND OUTPUT AT 10 cm	(dBA)	85
RESONANT FREQUENCY	(Hz)	2400
OPERATING TEMPERATURE	($^{\circ}$ C)	- 40 ~ + 85
TERMINAL		PIN
HOUSING MATERIAL		NORYL
WEIGHT	(g)	2.0

+ Value applying rated voltage resonant frequency, 1/2 duty , square wave

* Value applying resonant frequency, 1/2 duty , square wave ,measuring current 60uA

DIMENSIONS

UNIT : mm



Approved By : 
Date : 13-Jun-2006

Prepared By 
Date : 13-Jun-2006

Modify :	Date :	By :