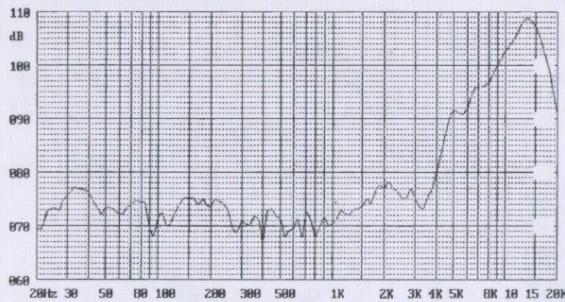


PCT-4275 SERIES ULTRA SONIC TRANSDUCER

FREQUENCY RESPONSE

[actual curve of type]



applied voltage: 10Vp-p. 1/2 duty, sine wave distance for measurement: 100cm

Model No

PCT-4275

Rated Voltage

10Vp-p

Max. Allowable Voltage

30Vp-p

Min. Sound Pressure Level

100dB/10Vp-p Sine Wave/7.5KHz/100cm

Resonant Frequency

7.5 ± 1 KHz

Operating Temperature

-20~+70°C

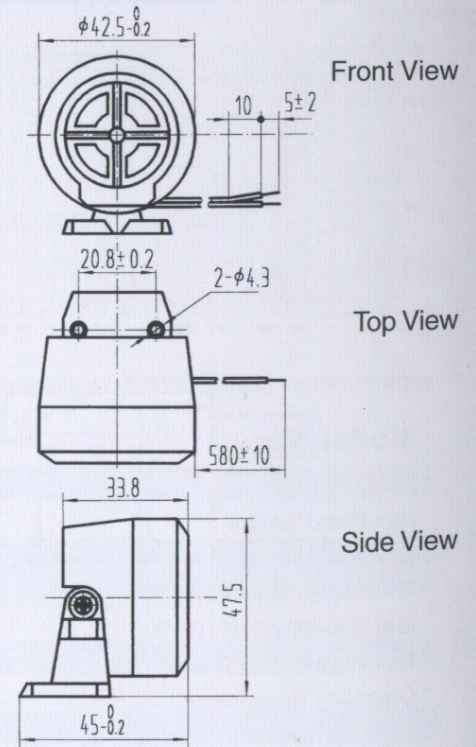
Weight

38g



color Black
PBT Housing Material
Lead Terminal

DIMENSIONS



all dimensions are in mm

* Value applying at rated voltage