

Specification for Horn Speaker		Page	2/8
		Revision No.	1.6
Model No.	SH-8080AF20R4C	Drawing No.	KFC3133

CONTENTS

1. Scope
2. General
3. Electrical and Acoustic Characteristics.
4. Reliability Test
5. Measurement Block Diagram & Response curve
6. Dimensions
7. Packing
8. Revision

Specification for Horn Speaker		Page	3/8
		Revision No.	1.6
Model No.	SH-8080AF20R4C	Drawing No.	KFC3133

1. Scope

This specification is applied to the Siren used for sounder in alarm systems. Please contact us when using this product for any other applications than described in the above.

2. General

- 2.1 Out-Diameter : 80 mm
- 2.2 Height : 52.5 mm
- 2.3 Length : 80*80 mm
- 2.4 Weight : 425 g ±10g
- 2.5 Operating Temperature range:
-25~+60 °C without loss of function
- 2.6 Store Temperature range:
-25 ~+60 °C without loss of function

3. Electrical and Acoustic Characteristics.

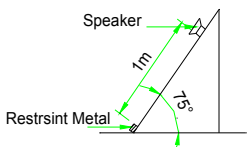
Test condition : 15 ~ 35 °C, 25% ~ 85% RH, 860~1060 mbar

No	Items	Specification
1	Impedance	4 Ω ± 20%
2	Sound Pressure Level	≥105 dB at 1W 1M 2k-3.0k
3	Resonance Frequency	2000 Hz ± 20%
4	Frequency Range	FO ~4KHz
5	Input Power	Rated 15 W / Max. 20 W
6	Magnet size	Φ70*32*8 mm(Dia.*dia.*H)
7	Buzz and Rattle	Should not be audible buzzes,rattles when the 7.75V sine wave signal swept at frequency range.
8	Polarity	When supplied plus D.C. voltage to (+) Left line, the diaphragm must move to forward.
9	Case Material/Color	ABS/BLACK

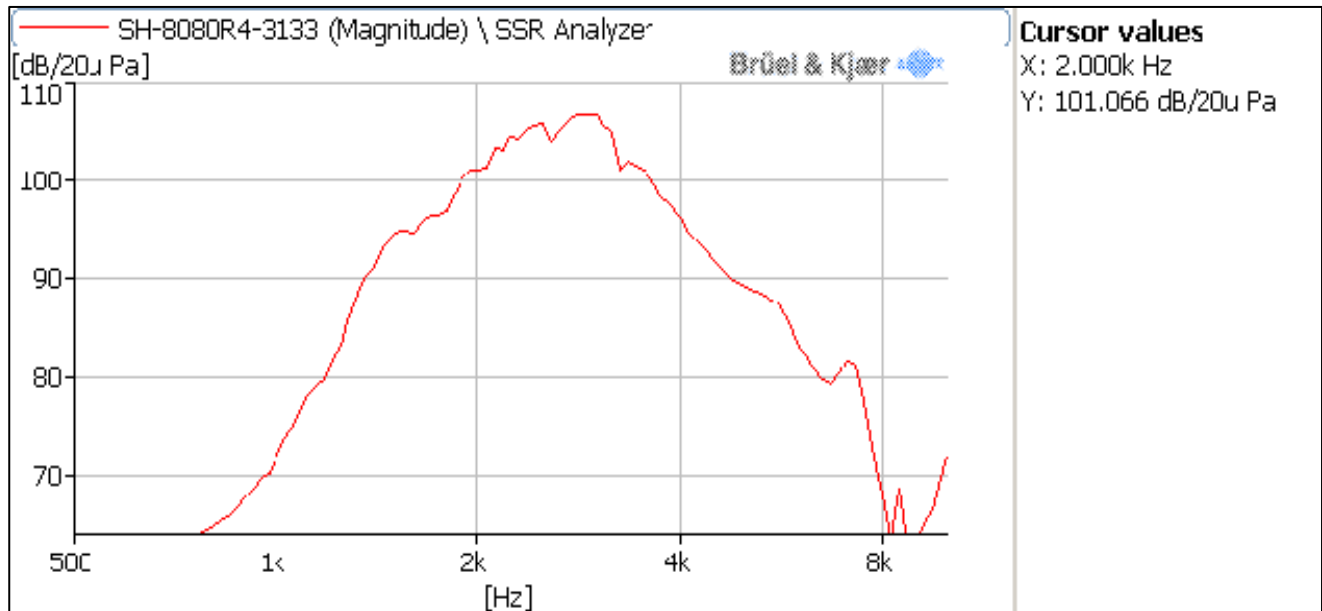
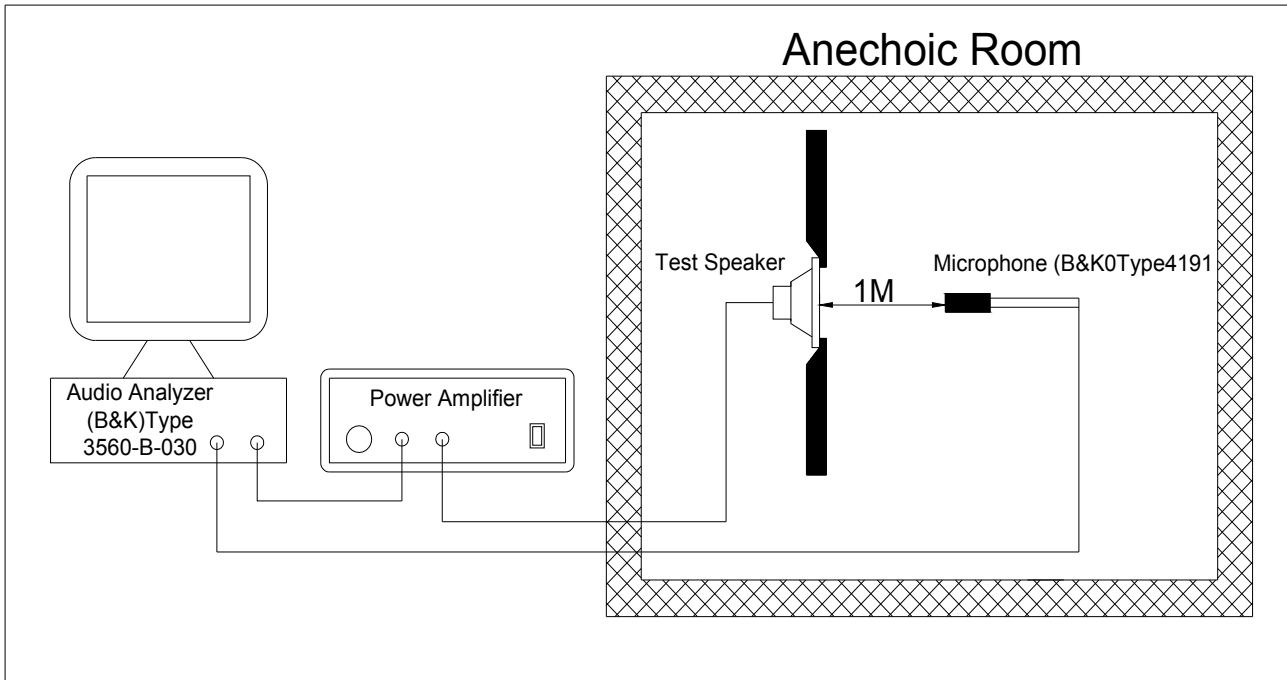
Specification for Horn Speaker		Page	4/8
		Revision No.	1.6
Model No.	SH-8080AF20R4C	Drawing No.	KFC3133

4. Reliability Test

After test(1~6item), the Electronic Siren S.P.L . difference shall be within $\pm 10\text{dB}$, and the appearance not exist any change to be harmful to normal operation(e.g.cracks,rusts,damages and especially distortion).

No	Items	Specification
1	High Temperature Test	After being worked in a chamber with $+60\pm 2\text{ }^\circ\text{C}$ for 2h and then being placed in natural condition for 2h, sounder shall be measured.
2	Low Temperature Test	First being worked in a chamber with $-25\pm 2\text{ }^\circ\text{C}$ for 2h and then being placed in a chamber with $-25\pm 2\text{ }^\circ\text{C}$ for 16h, finally being placed in natural condition for 2h, sounder shall be measured.
3	Humidity Test	After being placed in a chamber with 90 to 95%R.H. at $+40\pm 2\text{ }^\circ\text{C}$ for 2 h and then being placed in natural condition for 2h , sounder shall be measured.
4	Shock Test	Under acceleration of peak $100\text{m/s}^2(10\text{g})$ & half sine wave pulse (pulse time is 16ms)condition.run into product 1000 times continuously.
5	Vibration Test	Horn shall be measured after being applied vibration of amplitude of 1.5mm with 10to 30Hz band of vibration frequency to each of 3 perpendicular directions for 2 hour.
6	Drop Test	<p>A speaker is dropped from 1m in length on 75° inclination and a magnetic circuit of speaker is hitte to the restraint metal.</p> <p>After the test, magnetic circuit should not drop out and speakr should be measured.</p> 
7	Load test	After being applied loading white noise with input power 15W(7.75Vrms.) for 48 hours, then placed in natural condition for 1 hour, speaker shall be measured.

5. Measurement Block Diagram & Response curve



Specification for Horn Speaker

Page

6/8

Revision No.

1.6

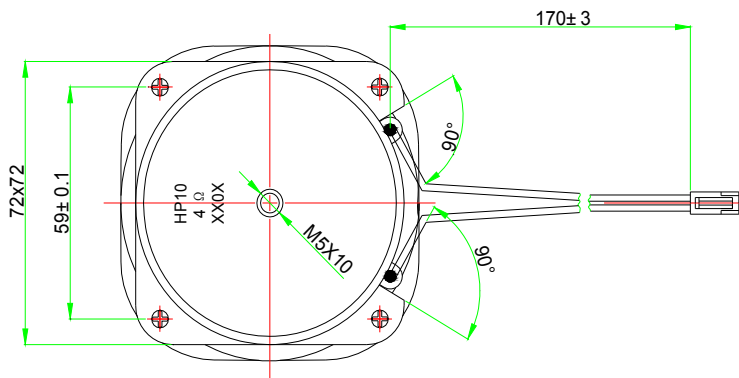
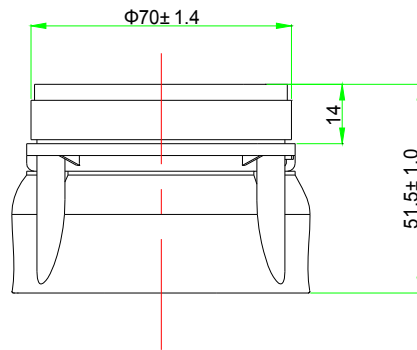
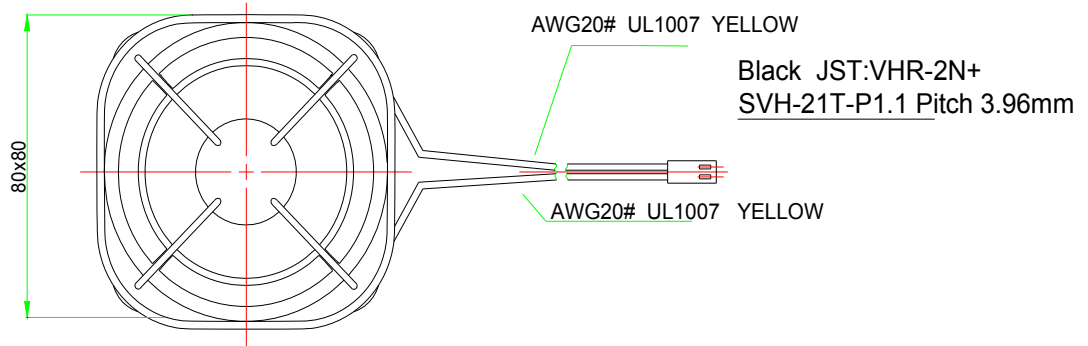
Model No.

SH-8080AF20R4C

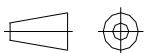
Drawing No.

KFC3133

6. Dimensions



FIRST ANGLE PROJECTION



备注：根据客户要求进行丝印。
使用标准螺丝为M5X10.

UNIT : mm

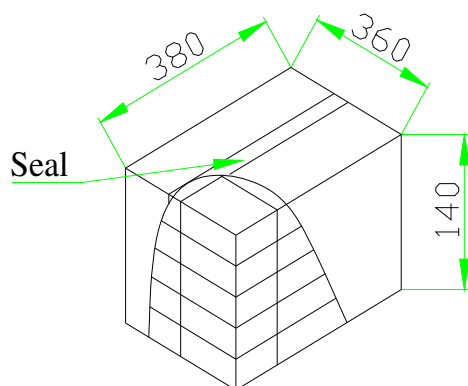
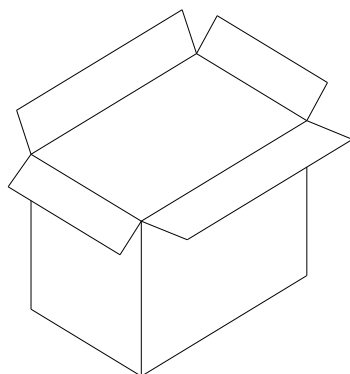
Tolerance : ± 0.5

Specification for Horn Speaker		Page	7/8
		Revision No.	1.6
Model No.	SH-8080AF20R4C	Drawing No.	KFC3133

7. Packing

Each minimum package unit of products shall be in a carton box and it shall be clearly marked with Part Number ,quantity and outgoing inspection number.

There shall be no mechanical damage on products during transportation and/or in storage.



QTY: 24Pcs
380x360 x140

