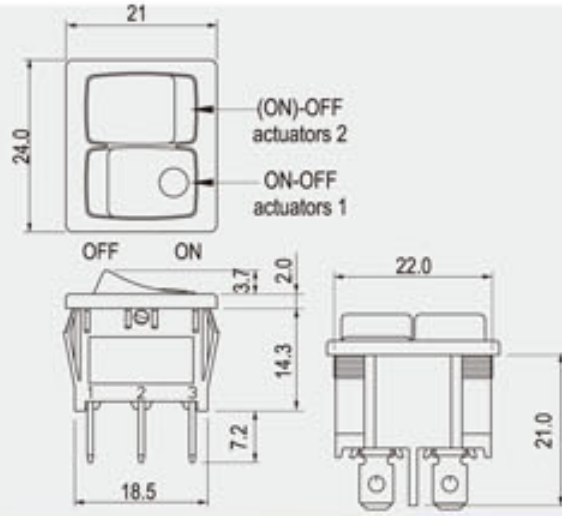


R13-33P



Rating	10A 125V AC 6A 250V AC
Contact resistance	50mΩ Max
Insulation resistance	DC 500V 100MΩ Min
Dielectric strength	AC 1500V 1 minute
Cut-out	Y

	X	Y
0.75-1.25	19.2-0.1	22.2+0.1
1.25-2	19.4-0.1	22.2+0.1
2-3	19.8-0.1	22.2+0.1

FEATURES

- * MATERIAL: Frame is nylon (UL flame: 94V-2). Terminals are silver plated copper.
- * Illuminated actuators are molded in PC, available with red, amber, green, blue and white colors.
- * Snap-in mounting, easy to install switch into panel.

Ordering number instruction



FUNCTION				TERMINAL
Illuminated / Different button (帶燈/按鈕不同)				0 2 .187" SQ
B	B 2	B 4	B 6	0 9 PC
B F	B 2 F	B 4 F	B 6 F	1 2 SO
Momentary / Illuminated / Different button (彈回/帶燈/按鈕不同)				ROCKER
A	A P	C	C P	A/B/BF/C/D/E/F G/H/I
D	D P			B, BF transparent
Different position / Different button (動作特性不同/按鈕不同)				B2/B2F
E	E P	F	F P	B4/B4F
G	G P	H	H P	AP/CP/DP/EP/FP GP/HP/IP
I	I P			B6/B6F
Function 1: For 1,2,3 terminal. Function 2: For 4,5,6 terminal.				B6, B6F transparent

