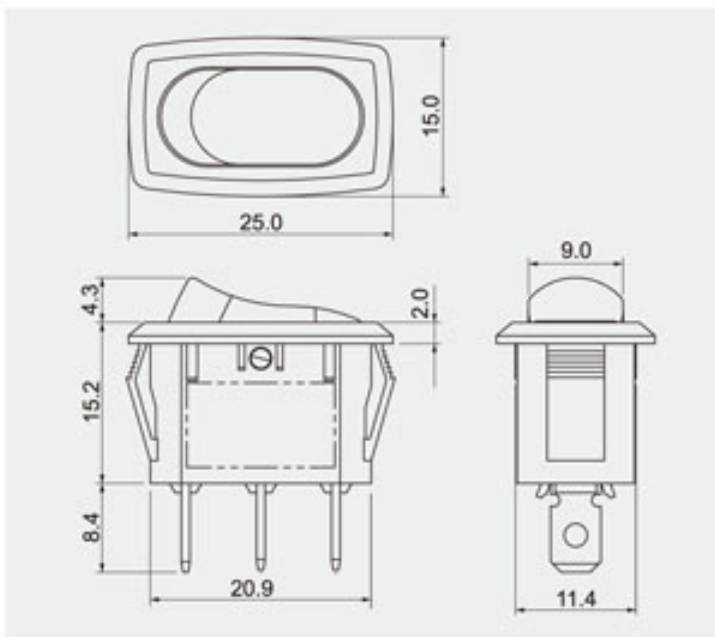


R13-278



Rating	
16A 125V AC	
10A 250V AC	
1/2HP 125V~ 250V	
Contact resistance	
50mΩ Max	
Insulation resistance	
DC 500V 100MΩ Min	
Dielectric strength	
AC 1500V 1 minute	
Cut-out	

±0.25	X	Y
0.75~1.25	23.0±0.1	11.6±0.1
1.25~2	23.3±0.1	11.6±0.1
2~3	23.6±0.1	11.6±0.1

Cut-out for X8 ROCKER

±0.25	X	Y
0.75~1.5	23.3±0.1	11.6±0.1
1.50~2.5	23.6±0.1	11.6±0.1

FEATURES

- * MATERIAL: Frame is nylon (UL flame: 94V-2). Terminals are silver plated brass.
- * Illuminated actuators are molded in PC, available with red, amber, green, blue and white colors.
- * Snap-in mounting, easy to install switch into panel.



Ordering number instruction

R13-278 -

FUNCTION		TERMINAL
Illuminated button (帶燈) <p>3P SPST (NEON) 125VAC 33KΩ / 250VAC 150KΩ</p>	Momentary / Illuminated button (彈回/帶燈) <p>3P SPST (NEON) 125VAC 33KΩ / 250VAC 150KΩ</p>	0 2 .187" SQ 0 9 PC <small>N/A for B,B8,BF,B8F</small> 1 0 PC ANGLE <small>N/A for B,B8,BF,B8F</small> 1 2 SO <small>N/A for B,B8,BF,B8F</small>
Different position (動作特性不同)		
A <p>2P SPST</p>	C <p>3P SPDT</p>	
Momentary (彈回)		
E <p>2P SPST</p>	F <p>2P SPST</p>	G <p>3P SPDT</p>
		H <p>3P SPDT</p>
		I <p>3P SPDT</p>
Waterproof (防水)		
A 8 <p>2P SPST</p>	B 8 <p>3P SPST (NEON) 125VAC 33KΩ / 250VAC 150KΩ</p>	B 8 F <p>3P SPST (NEON) 125VAC 33KΩ / 250VAC 150KΩ</p>
		C 8 <p>3P SPDT</p>
		F 8 <p>2P SPST</p>