

Tact Switch

Q-1458

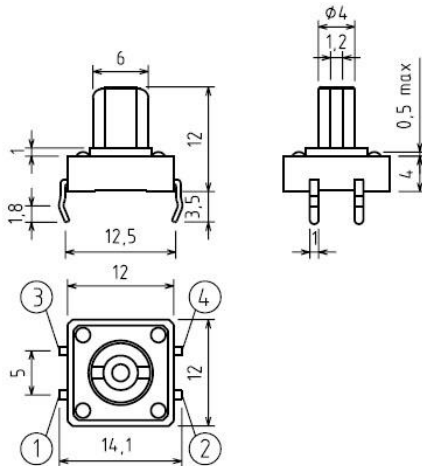
TYPE: **TS1212A**



SPECIFICATIONS

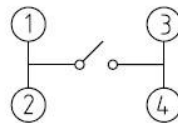
Contact Type	SPST
Rating	DC 12V, 50mA
Contacts Resistance	$\leq 0,03\Omega$
Insulation Resistance	$\geq 100M\Omega$ Min
Minimum Load	DC 500V
Dielectric Strengths	AC 250V / 1 minute
Life Test	100 000 Cycles Min
Operating temperature range	-25°C to +70°C
Operating Force	230 \pm 50gf

Outline Drawing



Mounting

Circuitry



OFF - (ON)