

# Double-poles

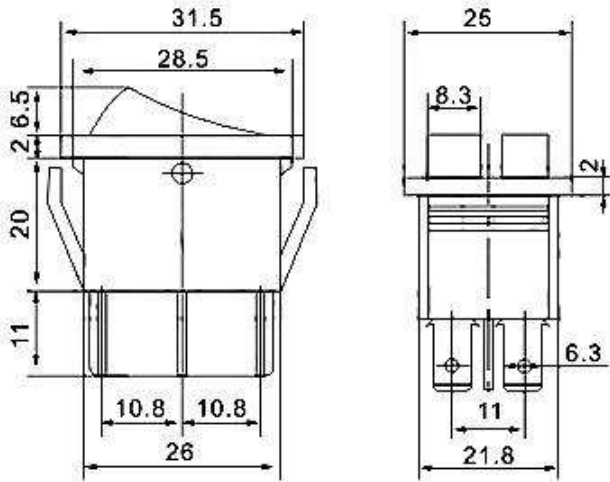
# Rocker Switch

TYPE: **KCD2-2101**

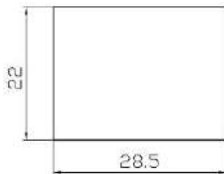
## SPECIFICATIONS

Contact Type: DPST  
Rating: 15A 250V AC  
Contact R: 35mΩ max  
Insulation R: 500V DC 100MΩ min  
Dielectric Strength: 1 Minute 1500V AC  
Operating Temperature: -25°C ~ +85°C  
Electrical Life: 10, 000 Cycles

Outline Drawing



Mounting



Circuitry



**2ON - OFF**