

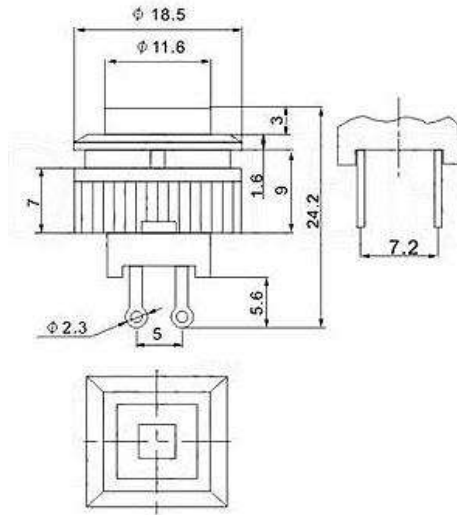
Q-710

TYPE: **D-326**

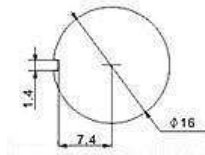
SPECIFICATIONS

Rating: 2A 250V AC
Contact R: 35mΩ max
Insulation R: 500V DC 100MΩ min
Dielectric Strength: 1 Minute 1000V AC
Operating Temperature: -25°C ~ +85°C
Electrical Life: 10,000 Cycles

Outline Drawing



Mounting



Circuitry

