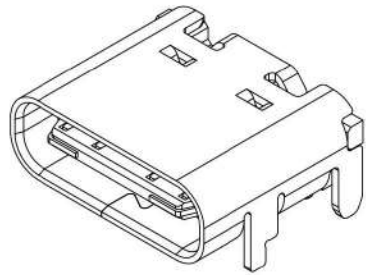


ROHS



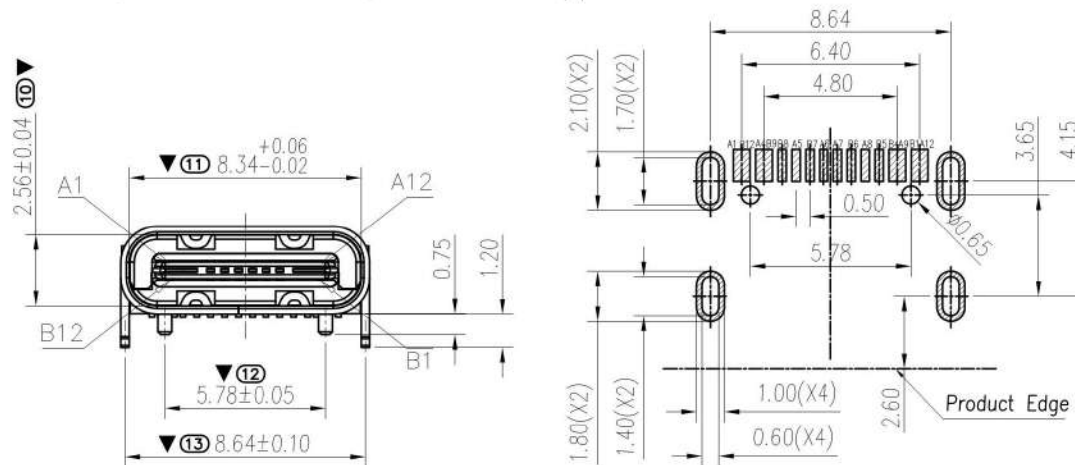
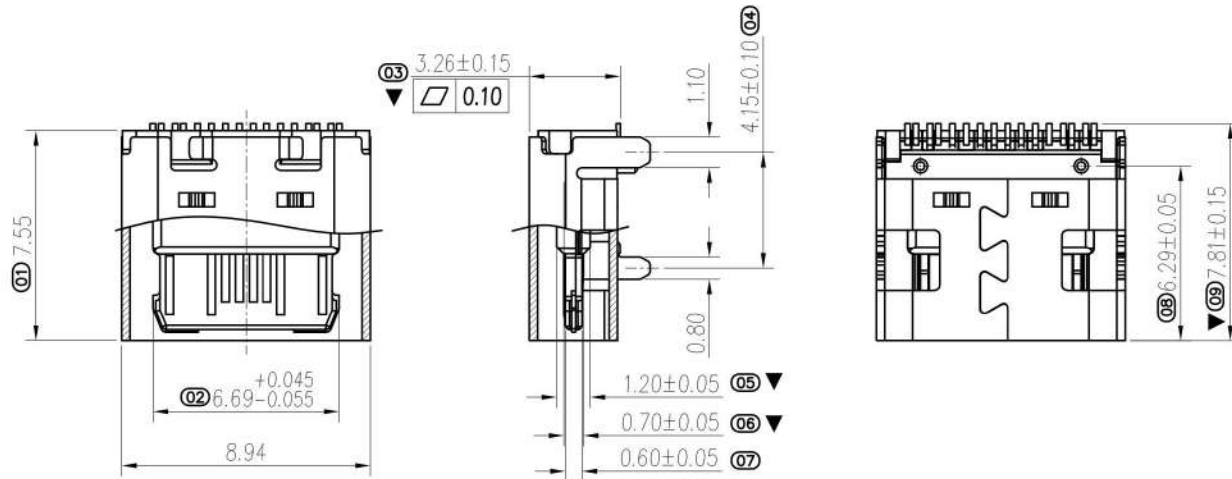
A1	GND	B12	GND
A4	VBUS	B9	VBUS
A5	CC1	B8	SBU2
A6	DP1	B7	DN2
A7	DN1	B6	DP2
A8	SBU1	B5	CC2
A9	VBUS	B4	VBUS
A12	GND	B1	GND
PIN	SIGNAL NAME	PIN	SIGNAL NAME

Specification:

- Electrical Characteristics:
  - Contact Current Rating: 3 Amperes Max.
  - Rated Voltage: 30V Max.
  - Dielectric Withstanding Voltage: AC 100V r.m.s.
  - Insulation Resistance: 100 MΩ Minimum.
  - Contact Resistance: 40 mΩ Maximum.
- Environmental:
  - Operating Temperature: -40°C~+85°C.
- Mechanical Characteristics:
  - Insertion Force: 5~20Nf.
  - Withdrawal Force: 6~20Nf.
  - Durability Cycles: 10000 Cycles.
- ⊗ Make is FAI test Dimension  
▼ Make is major test Dimension

ITEM:USB3.1 TYPE-C 16PF-015

NO.	NAME	DESCRIPTION
3	CONTACT	COPPER ALLOY
2	INSULATOR	HIGH TEMPERATURE PLASTIC UL 94 V-0
1	SHELL	Stainless Steel



RECOMMENDED P.C.B. LAYOUT  
TOLERANCE UNSPECIFIED ±0.05mm

06/09-17	yang		NEW-DWG		AO
DATE	DR.BY	ECN.NO.	DESCRIPTION	MARK	VER.
-TOLERANCES- UNLESS OTHERWISE SPECIFIED					
X.	±0.30	X.XXX ±0.100	APPD:	PRODUCT NO: 1012-16F****01-***	
X.X	±0.25	X.X" ±3.00"	CHECK:	DATE	SCALE
X.XX	±0.15	X.XX" ±1.00"	DRAW:	UNIT	TYPE
			2017.06.09	1:1	mm
				CD	1/1