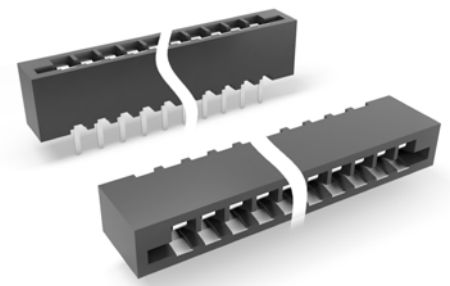
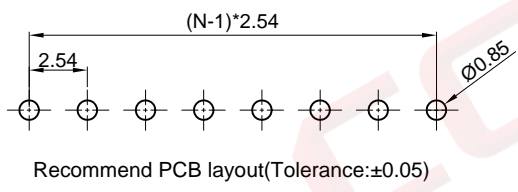
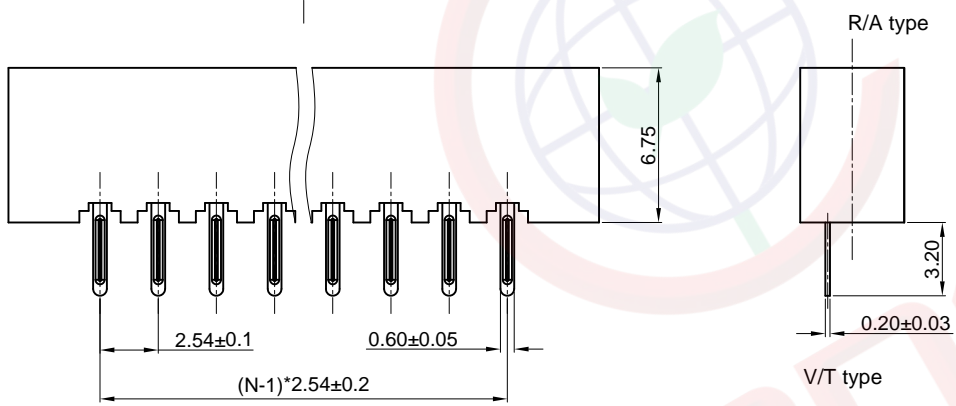
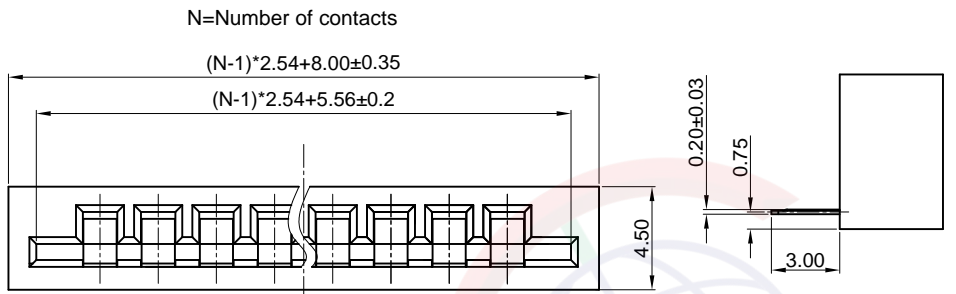


The information provided herein is from CONNPLY Electronic Co., Ltd. and is confidential. Any disclosure to a party other than the recipient is prohibited. The intellectual properties and its rights contained herein, including but not limited to, trademarks, patents, copyrights, trade secrets, and technical know-how, are owned exclusively by CONNPLY or its affiliates. Unauthorized use or reproduction of any part of this drawing without the prior written permission of CONNPLY may constitute a violation of intellectual property rights and/or other applicable laws. CONNPLY may enforce its intellectual property rights at its own discretion, failures or delays to exercise such rights does not constitute a waiver of such rights.

REV.	DESCRIPTION	DRAWN	CHECKED	APPROVED
A	NEW RELEASE	LJH 10/04/05'		LJC 10/04/05'
B	DRAWING UPDATE	JLZ 08/31/18'		

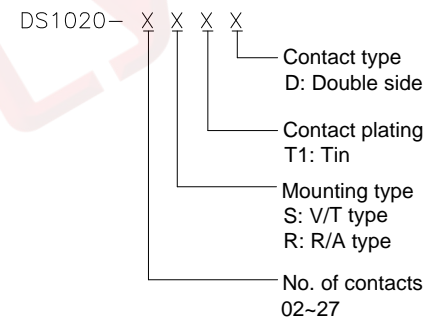


(Series Image-Reference Only)

NOTES:

- Materials
 - Insulator:Thermoplastic(UL 94V-0).
 - Contact:Copper alloy.
- Specification
 - Temperature:-40°C~+105°C.
 - Contact resistance:20mΩ max.
 - Insulation resistance:1000MΩ min.
 - Dielectric withstanding voltage:AC 500V per minute.

3. Product number code:



GENERAL TOLERANCE		ANGLE TOLERANCE		PROJECTION		TITLE	FFC/FPC CONNECTOR	
X.	±0.60	X.	±5°	UNITS	mm	PITCH 2.54mm LIF.T/H		
.X	±0.38	.X	±3°	SHEET SIZE	A4	SERIES	DS1020 SERIES	
.XX	±0.25	.XX	±2°	晨翔电子有限公司 CONNPLY CONNPLY ELECTRONIC CO. LTD				
DRAWING TYPE		CUSTOMER						
SCALE	1:1	SHEET	1 OF 1					
DRAWING NO.		C-DS1020-XXXX-B						