

PCB Connector Series

KLS1-2.50 Pitch=2.50mm TYPE

Electrical Specification:

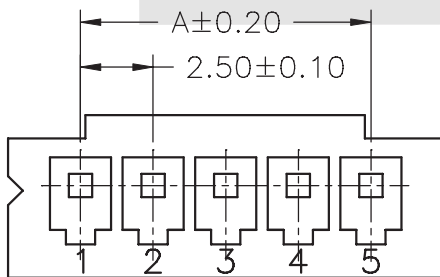
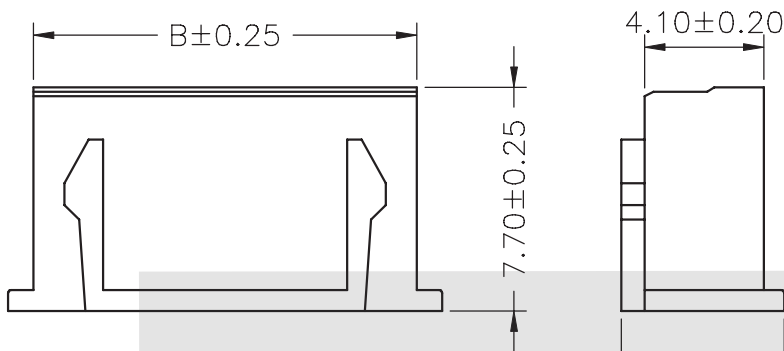
Rated Voltage: 250V AC/DC
 Rated Current: 3A
 Contact Resistance: 0.02 Ohm max
 Insulation Resistance: 1000M Ohm min
 Withstand voltage: 1000V AC/MIN
 Temperature range for usage : -25°C~+85°C
 P.C board thickness : 0.8~1.6mm

Material:

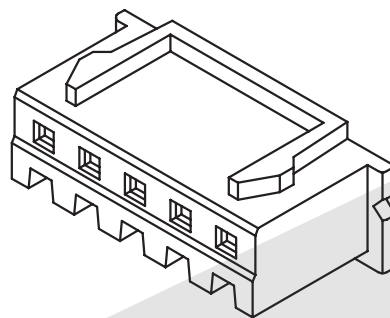
Housing: PA66 (PA66) UL94V-2
 Contacts: Brass or Phosphor Bronze
 Plating: Tin 50u" over 100u" nickel
 Wire range : AWG#30~#22
 Color: White



Housing



Circuit 1



PART NO.	Dimensions	
	A	B
02	2.50	5.70
03	5.00	8.20
04	7.50	10.70
05	10.00	13.20
06	12.50	15.70
07	15.00	18.20
08	17.50	20.70
09	20.00	23.20
10	22.50	25.70
11	25.00	28.20
12	27.50	30.70
13	30.00	33.20
14	32.50	35.70
15	35.00	38.20
16	37.50	40.70
17	40.00	43.20
18	42.50	45.70
19	45.00	48.20
20	47.50	50.70

ORDER INFORMATION

Product NO.: KLS1-2.50-XX-H

Pitch: 2.50=2.50mm

Type: H=Housing
 S=Straight Male pin
 R=High Right With Ears Male pin
 T=Terminal
 R1=Right Male pin

PIN Number: 2~ 20pin

PCB Connector Series

KLS1-2.50 Pitch=2.50mm TYPE

Electrical Specification:

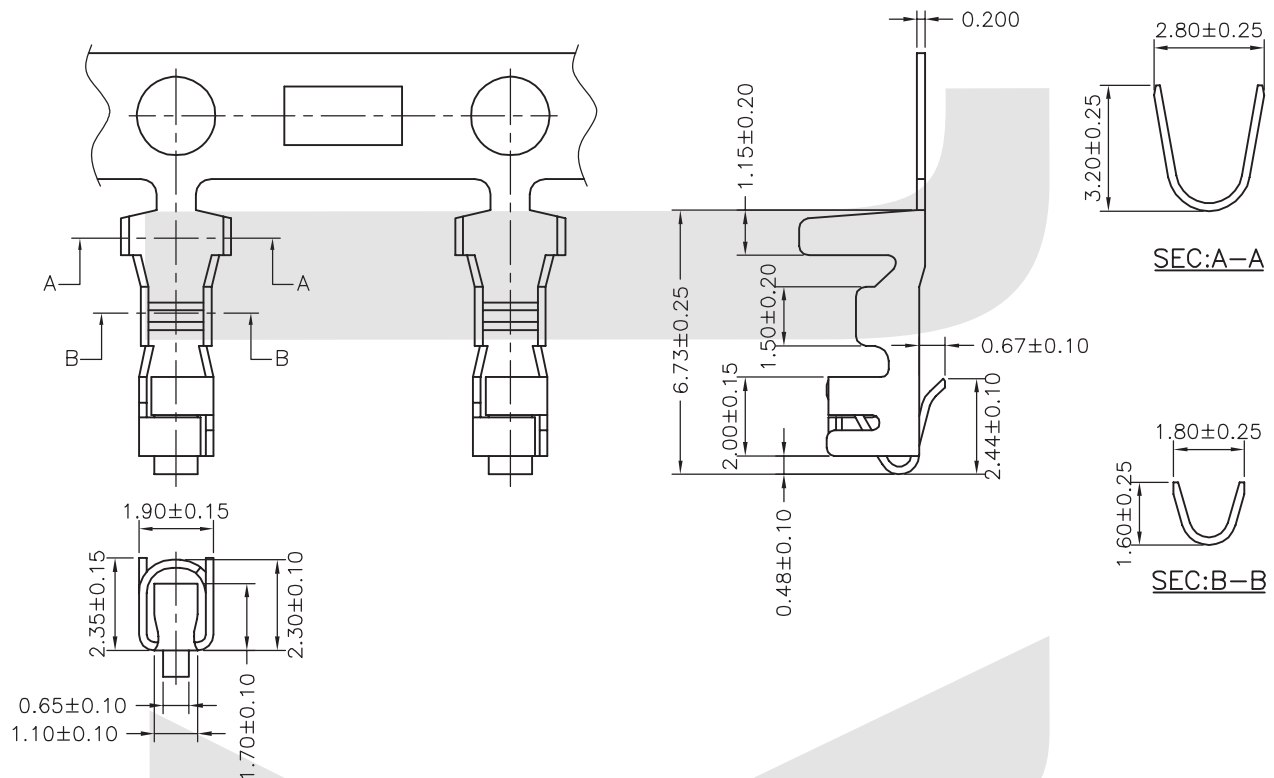
Rated Voltage: 250V AC/DC
 Rated Current: 3A
 Contact Resistance: 0.02 Ohm max
 Insulation Resistance: 1000M Ohm min
 Withstand voltage: 1000V AC/MIN
 Temperature range for usage : -25°C~+85°C
 P.C board thickness : 0.8~1.6mm

Material:

Housing: PA66 (PA66) UL94V-2
 Contacts: Brass or Phosphor Bronze
 Plating: Tin 50u" over 100u" nickel
 Wire range : AWG#30~#22
 Color: White



Terminal



ORDER INFORMATION

Product NO.: KLS1-2.50-T

Type: H=Housing T=Terminal
 S=Straight Male pin R1=Right Male pin
 R=High Right With Ears Male pin

Pitch: 2.50=2.50mm