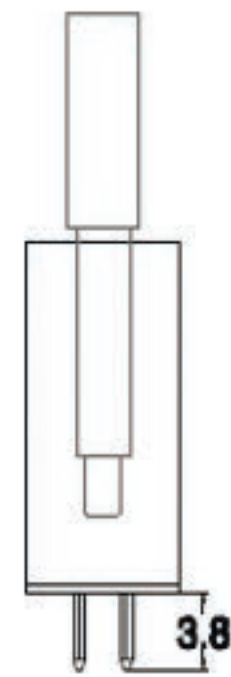
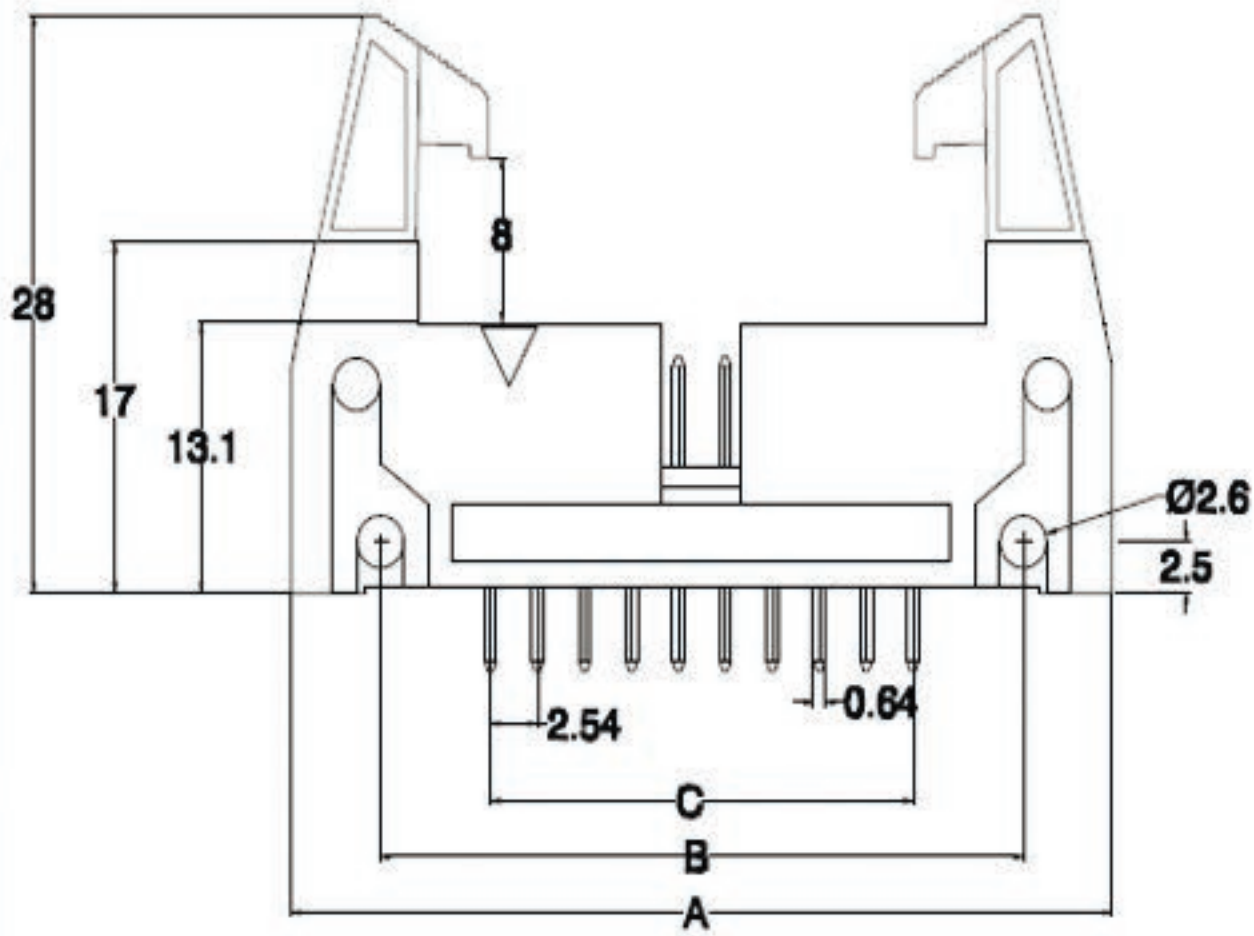


**SPECIFICATIONS**  
 Current Rating: 3Amps  
 Insulation Resistance: 1000M  $\Omega$  min  
 Withstanding Voltage: 1000VAC  
 Contact Resistance: 20m  $\Omega$  max  
 Operating Temperature: -40° C to +105° C  
 Standard: PBT  
 Contact Material: Brass  
 Contact Plating: Au or Sn Over Ni  
 Max. Processing Temp: 180 °C for 30-60 second  
 (200 °C for 10 second)



- (1) Pin Spacing: 254=2.54mm
- (2) Product Name: BH=Box Header
- (3) No. of Pins Per Row: 6-64
- (4) Contact Type: S=Straight; R=Right/Angle; M=SMT
- (5) Contact Plating: SN=Tin; GO=Gold Flash; SO=Gold Flash/Tin; AU08=Au0.8u''
- (6) Insulator Material Option:  
 A=BK-PBT; B=BK-PA6T; C=BK-PA46; D=BK-LCP; S=Special

No. of	DIN. A	DIN. B	DIN. C	No. of	DIN. A	DIN. B	DIN. C	No. of	DIN. A	DIN. B	DIN. C
6	26.92	16.76	5.08	20	44.70	34.54	22.86	50	82.80	72.64	60.96
8	29.46	19.30	7.62	26	52.32	42.16	30.48	60	95.50	85.34	73.66
10	32.00	21.84	10.16	30	57.40	47.24	35.56	64	100.68	90.42	78.74
14	37.08	26.92	15.24	34	62.48	52.32	40.64				
16	39.62	29.46	17.78	40	70.10	59.94	48.26				

UNLESS OTHERWISE SPECIFIED TOLERANCE  
 X : ±0.3      X° : ±5°  
 X.X : ±0.2    X.X° : ±1°  
 X.XX : ±0.2   X.XX° : ±0.5°

DRAW NAME: SCM-XX / IDCC-XX MS  
 SIZE A4    SCALE N:1    PRODUCT  
 REV A    UNIT mm    PROJECT    PAGE 1/1

CHECKED    LIU SHENG HUI    DATE    05/28    CHECKED       DATE    /