

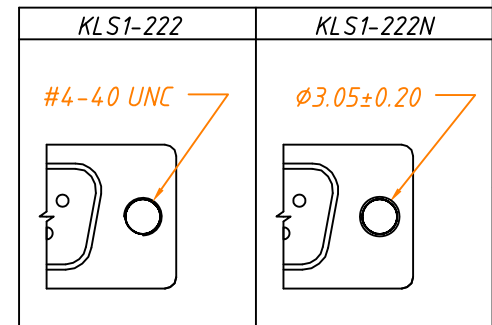
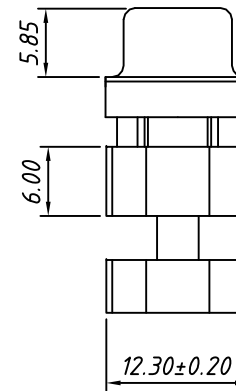
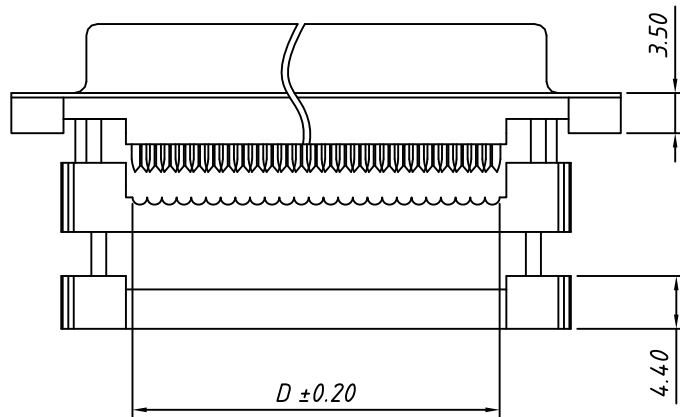
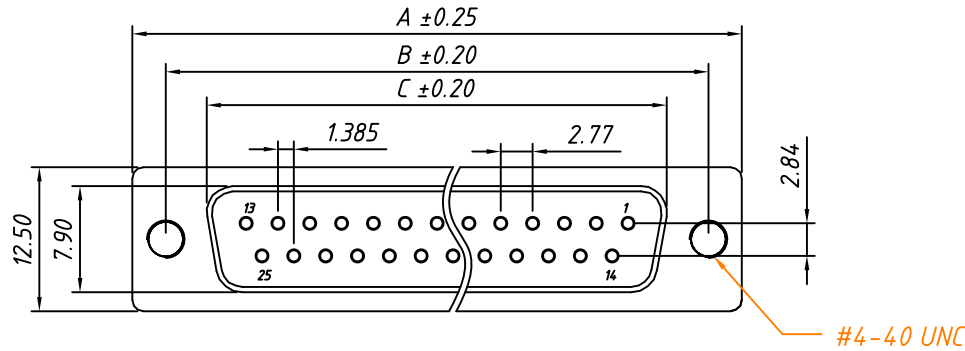
1 RoHS Compliant

Material:
 Housing: PBT+30% Glass filled,UL94V-0
 Contacts: Brass ,Gold Plating
 Shell: Steel, Nickel Plating

Electrical Characteristics:
 Current Rating: 1 AMP
 Insulator Resistance: 1000MΩ Min. at DC 500V
 Withstanding Voltage: 500V AC (rms) for 1 minute
 Contact Resistance: 20mΩ Max. Initial
 Operating Temperature: -55°C ~ +105°C

Order Information

L - KLS1 - 222 - XX - F - L
 RoHS _____
 D-SUB Connector, _____
 IDC Type, Type: 222 , 222N _____
 XX-No.of 09,15,25,37pins _____
 Connector type: M-Male F-Female _____
 Housing Color: B-Black L-Blue _____



Number of Contacts	DIMENSION			
	A±0.25	B±0.20	C±0.20	D±0.20
09	30.90	24.99	16.30	11.80
15	39.20	33.20	24.60	19.50
25	53.10	47.04	38.30	32.15
37	69.40	63.50	54.80	48.76

GENERAL TOLERANCE	PROJECTION		Description:
X. ±0.30	UNITS	mm	D-SUB Connector, IDC Type, Female
.X ±0.25	SCALE	1:1	
.XX ±0.20	Draw by:	Daniel	KLS P/N: L-KLS1-222-XX-F-L
ANGLE TOLERANCE	Check by:	Daniel	NingBo KLS ELECTRONIC CO.,L TD.
X. ±3°	Date	2018-03-01	
.X ±2°	SHEET	1 OF 1	
.XX ±1°			