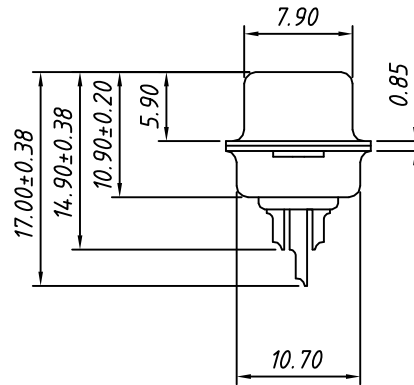
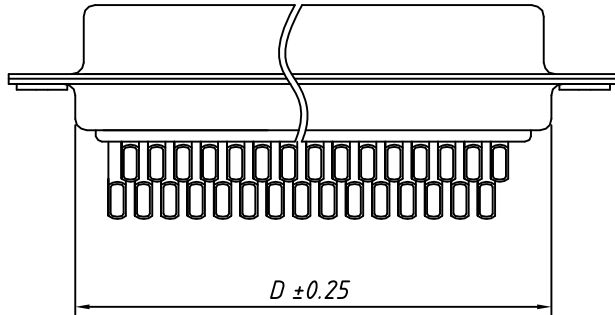
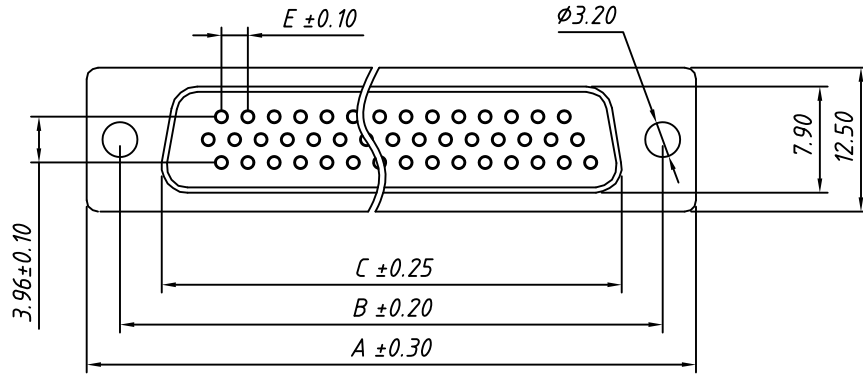


1 RoHS Compliant



Material:
 Housing: PBT+30% Glass filled ,UL94V-0
 Contacts: Brass ,
 Gold Plating on Contact Area,
 Tin on Solder Tail.
 Shell: Steel,
 Front Shell Nickel Plating,
 Back Shell Tin Plating

Electrical Characteristics:
 Current Rating: 5 AMP
 Insulator Resistance: 1000MΩ Min. at DC 500V
 Withstanding Voltage: 500V AC (rms) for 1 minute
 Contact Resistance: 20mΩ Max. Initial
 Operating Temperature: -55°C ~ +105°C

Order Information

L - KLS1 - 214 - XX - F - L
 RoHS _____
 D-SUB Connector, _____
 3 Row Solder type _____
 XX-No.of 15,26,44,62pins _____
 Connector type: M-Male F-Female _____
 Housing Color: _____
 L-Blue B-Black W-White

| Number of Contacts | DIMENSION | | | | |
|--------------------|-----------|--------|--------|--------|--------|
| | A±0.30 | B±0.20 | C±0.25 | D±0.25 | E±0.10 |
| 15 | 30.80 | 25.00 | 16.30 | 19.30 | 2.29 |
| 26 | 39.20 | 33.30 | 24.60 | 27.60 | 2.29 |
| 44 | 53.10 | 47.04 | 38.30 | 41.10 | 2.29 |
| 62 | 69.34 | 63.50 | 54.80 | 57.30 | 2.41 |

| GENERAL TOLERANCE | PROJECTION | | Description: |
|-------------------|------------|------------|--|
| X. ±0.30 | UNITS | mm | D-SUB Connector, Solder Type,Female |
| .X ±0.25 | SCALE | 1:1 | |
| .XX ±0.20 | Draw by: | Daniel | KLS P/N: L-KLS1-214-XX-F-L |
| ANGLE TOLERANCE | Check by: | Daniel | NingBo KLS ELECTRONIC CO.,L TD. |
| X. ±3° | Date | 2018-03-01 | |
| .X ±2° | SHEET | 1 OF 1 | |
| .XX ±1° | | | |