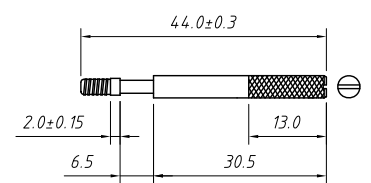
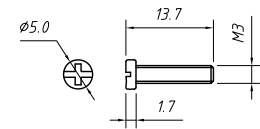
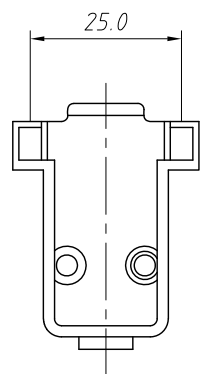
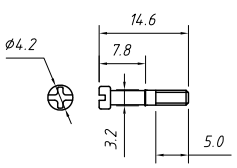
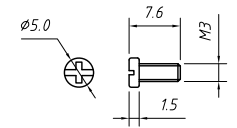
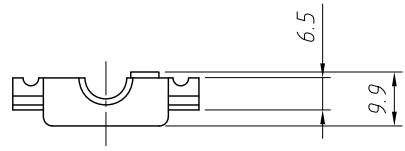
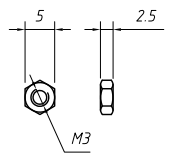
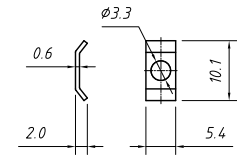
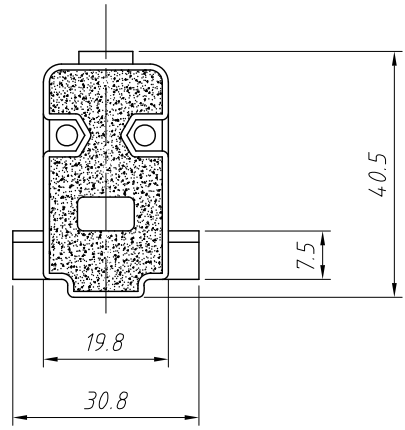
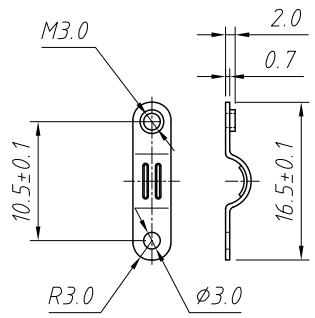


1  
RoHS Compliance



Short screw

Long screw

Order Information:  
L-KLS1-DB-09P-S-G

L: RoHS  
XXP-No.of  
09,15,25,37,50pins  
Screw:S-Short screw  
L-Long screw  
Color: G-Gray B-Black

Cover Material: ABS Plastic  
Screw Material: STEEL

ANGLE TOLERANCE	PROJECTION	Description:	
±3°		D-SUB HOOD PLASTIC MATERIAL (09-37Pin)	
GENERAL TOLERANCE	UNITS	mm	KLS P/N:
x.x ±0.30	SHEET SIZE	A4	L-KLS1-DB-09P-S-G
x.xx ±0.20	Draw:	Daniel	2020-11-11
x.xxx ±0.10	Check:	Daniel	2020-11-11



NingBo KLS ELECTRONIC CO.,LTD.