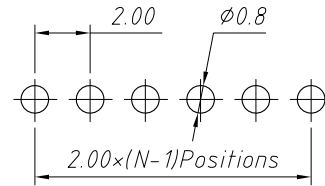
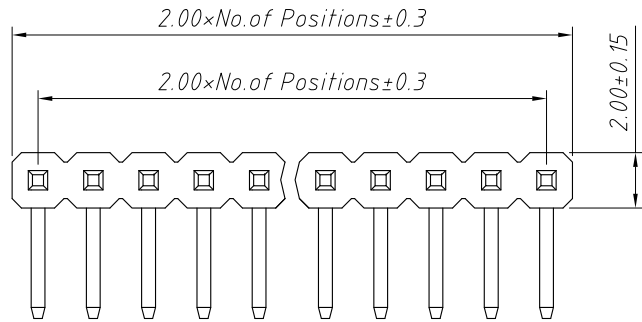


1 RoHS Compliance

A
B
C
D
E
F
G
H

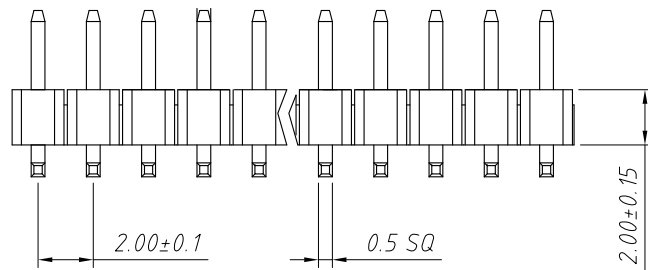


Recommended P.C.B Hole Layout

Material:
Standard:PBT
Contact:Phosphor bronze
Insulator:Polyester,UL94V-0

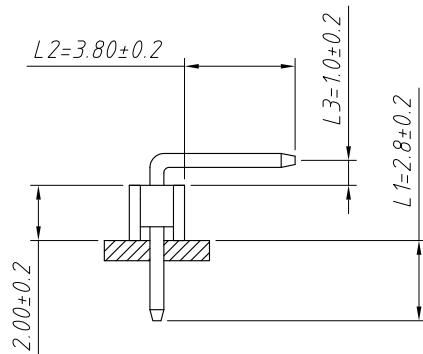
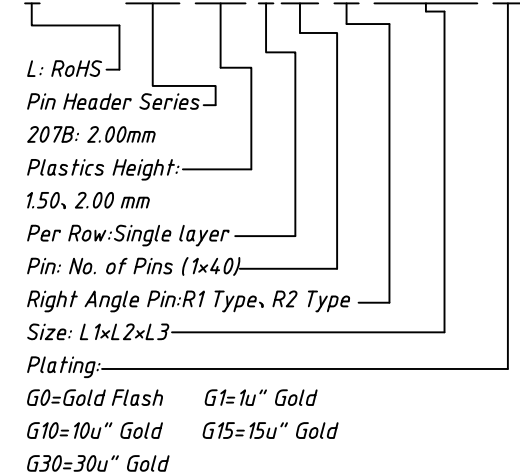
Electrical Characteristics:
Rated Current: 1.5AMP
Contact Resistance: 20mΩ Max
Withstand Voltage: 500V AC/DC
Insulator Resistance: 1000MΩ Min

Mechanical
Operating Temperature: -40°C ~ +105°C

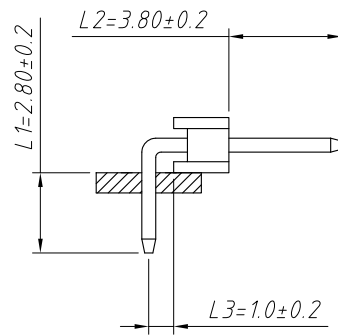


Dimension antitheses list (mm)				
ITEM	L1	L2	L3	Plastic Height
Standard R1	2.80	3.80	1.00	2.00
Standard R2	2.80	3.80	1.00	2.00
Nonstandard	---	---	---	---

Order Information:
L-KLS1-207B-2.00-1-XX-R1-L1xL2xL3-G0



R1 Type



R2 Type

ANGLE TOLERANCE	PROJECTION	Description:	2.00mm Pin Header
±3°		Single layer, Right Angle Pin, 1xN Pin	
GENERAL TOLERANCE	UNITS	mm	KLS P/N: L-KLS1-207B-2.00-1-XX-R1-L1xL2xL3-G0
x.x ±0.30	SHEET SIZE	A4	NingBo KLS ELECTRONIC CO.,L TD.
x.xx ±0.20	Draw:	Daniel	
x.xxx ±0.10	Check:	Daniel	

1 2 3 4 5 6 7 8